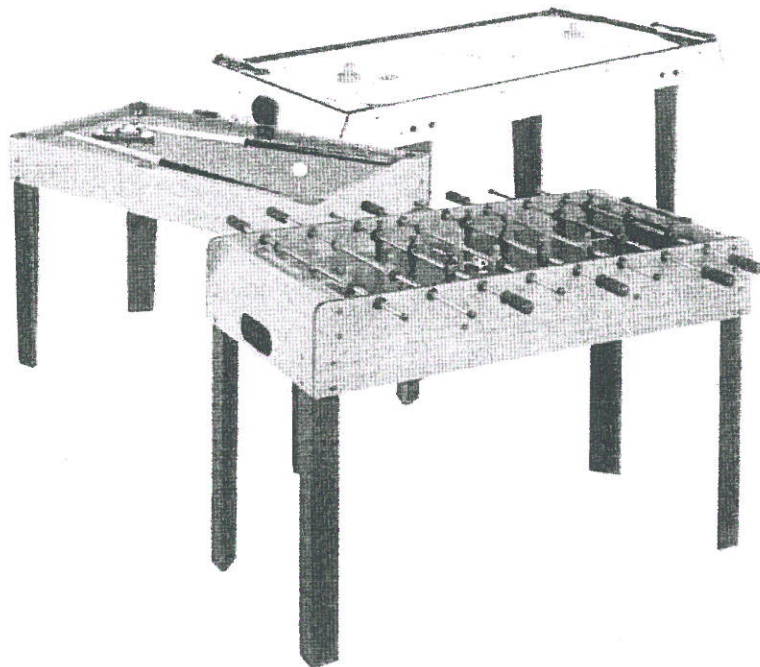


TABLE
Games

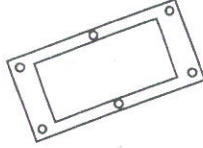
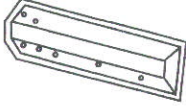

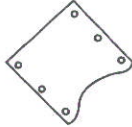


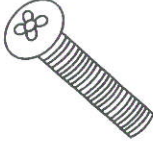


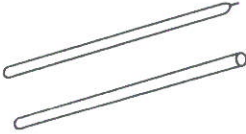
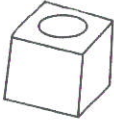
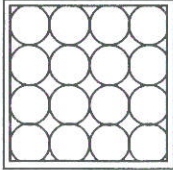

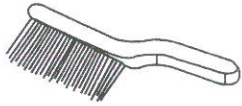
Assembly instructions



50804

50804 PARTS LIST & ASSEMBLY

PART 1 PARTS LIST

<p>#1</p>  <p>MAIN FRAME 1PC</p>	<p>#2</p>  <p>LEG 4PCS</p>	<p>#3</p>  <p>LEG LEVELER 4PCS</p>
<p>#4</p>  <p>LEG END PANEL 2PCS</p>	<p>#5</p>  <p>LEG BOLT 5/16" x 32mm 16PCS</p>	<p>#6</p>  <p>LEG WASHER 5/16" x 20mm 16PCS</p>
<p>#7</p>  <p>LEG PANEL BOLT 3/16" x 30 mm 12PCS</p>	<p>#8</p>  <p>LEG RANH 1/4" x 13 mm 12PCS</p>	<p>#9</p>  <p>ALLEN KEY 1PC</p>
<p>#10</p>  <p>CUE STICK 48" 2PCS</p>	<p>#11</p>  <p>CHALK 2PCS</p>	<p>#12</p>  <p>BILLIARD BALL 1SET</p>
<p>#13</p>  <p>TRIANGLE RACK 2" 1PC</p>	<p>#14</p>  <p>TABLE BRUSH 1PC</p>	

Should you have a defect or parts issue, please refer to the warranty instructions listed below and contact Regent Sports at our toll free number!!

LIMITED 90 DAY WARRANTY

This Halex product is warranted to be free from defects in workmanship or materials at the time of purchase for a period of 90 (ninety) days. Certain restrictions apply (see below).

Should any evidence of defects appear within the limited warranty period after the date of purchase, Regent Sports will either send replacement parts or advise of another course of action. A list of replaceable parts can be found on the parts order form page of this manual. Parts not listed on this order form are not replaceable. **Table tops, playing surfaces, and main frames are not replaceable.** This warranty covers normal consumer use and does not cover failures, which result from alterations, accidents, misuse, abuse, or neglect.

For prompt warranty service and special offers, please register your Halex product at our customer service center by visiting our website at: www.regent-halex.com. Enter the following unique registration number followed by the item number of your table found on the cover of this manual: 1ZAK7 _____. You must register your product within 30 days of purchase to be eligible for warranty service. Please make sure to visit our website to order additional parts not covered under the warranty, as well as on-line instruction manuals and new product information. You may also order parts by calling our automated voice recognition system (877) 516-8707.

A purchase receipt or other proof of date of purchase will be required before warranty service is performed. Requests for warranty service can be provided by e-mailing the customer service department at cstables@regent-halex.com or by calling customer service at:

877-516-9707 (Toll Free)

10:00 AM to 6:00 PM, EST. (Dec. through Jan.)

10:00 AM to 5:00 PM, EST. (Feb. through Nov.)

Or send request in writing to:

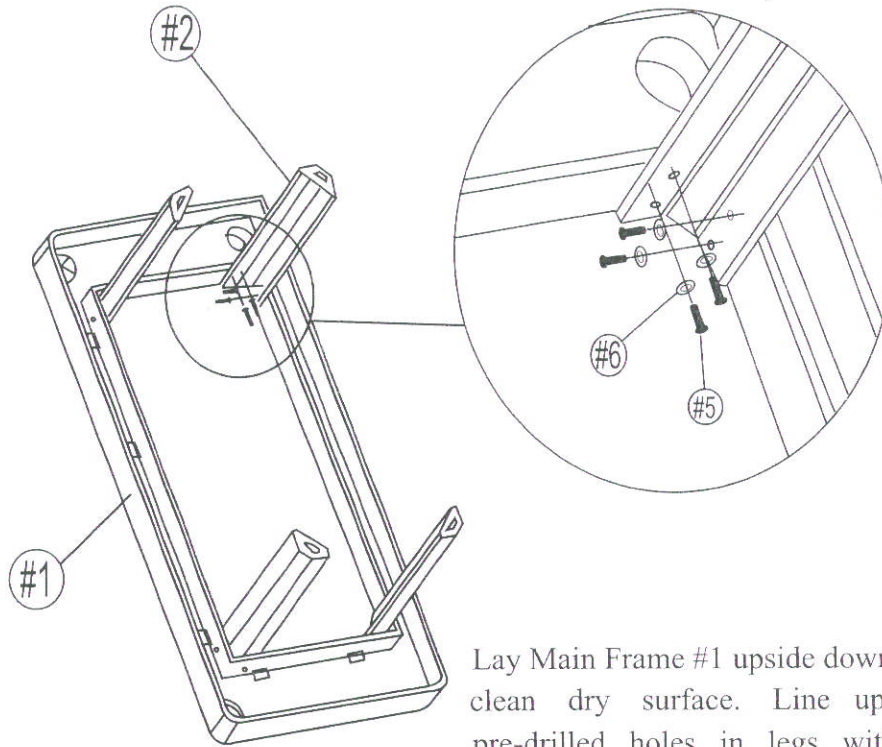
Regent Sports Corporation
45 Ranick Road
Hauppauge, NY 11788
Attn: Halex Customer Service

This warranty gives you specific legal rights and you may have other rights that vary from state to state.

PART 2 Assembly

NOTE: THE USE OF A PHILIPS HEAD SCREW DRIVER IS REQUIRED.

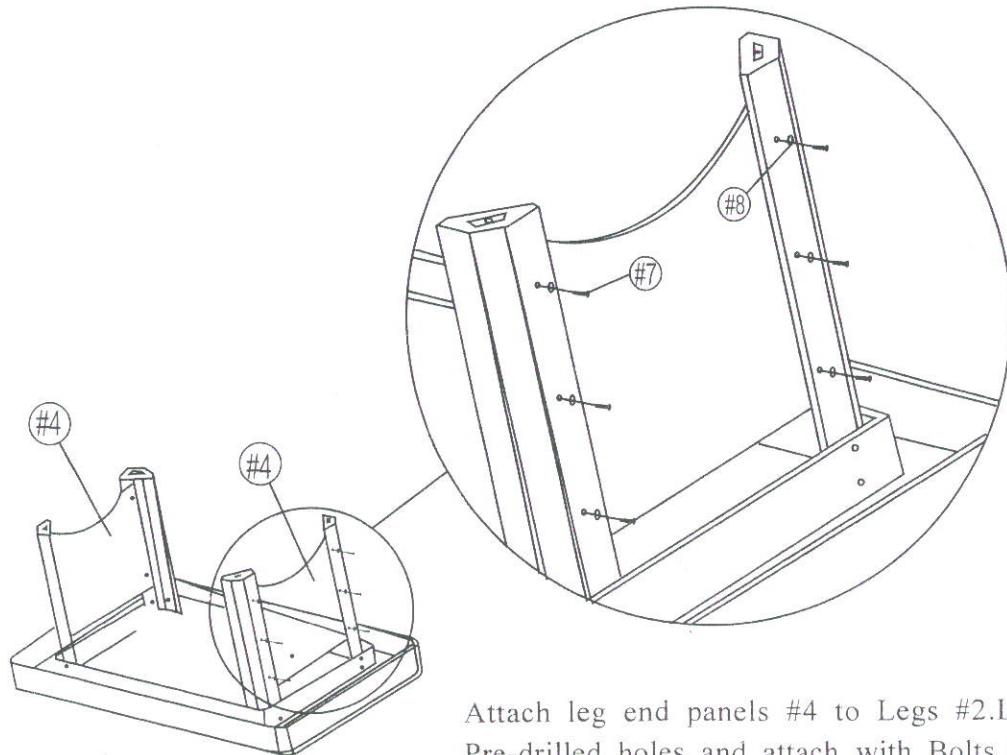
STEP1.ASSMBLE LEGS



Lay Main Frame #1 upside down on a clean dry surface. Line up the pre-drilled holes in legs with the pre-drilled holes in the main frame. Attach legs #2 to Main Frame #1 using Bolts #5 and Washers #6.

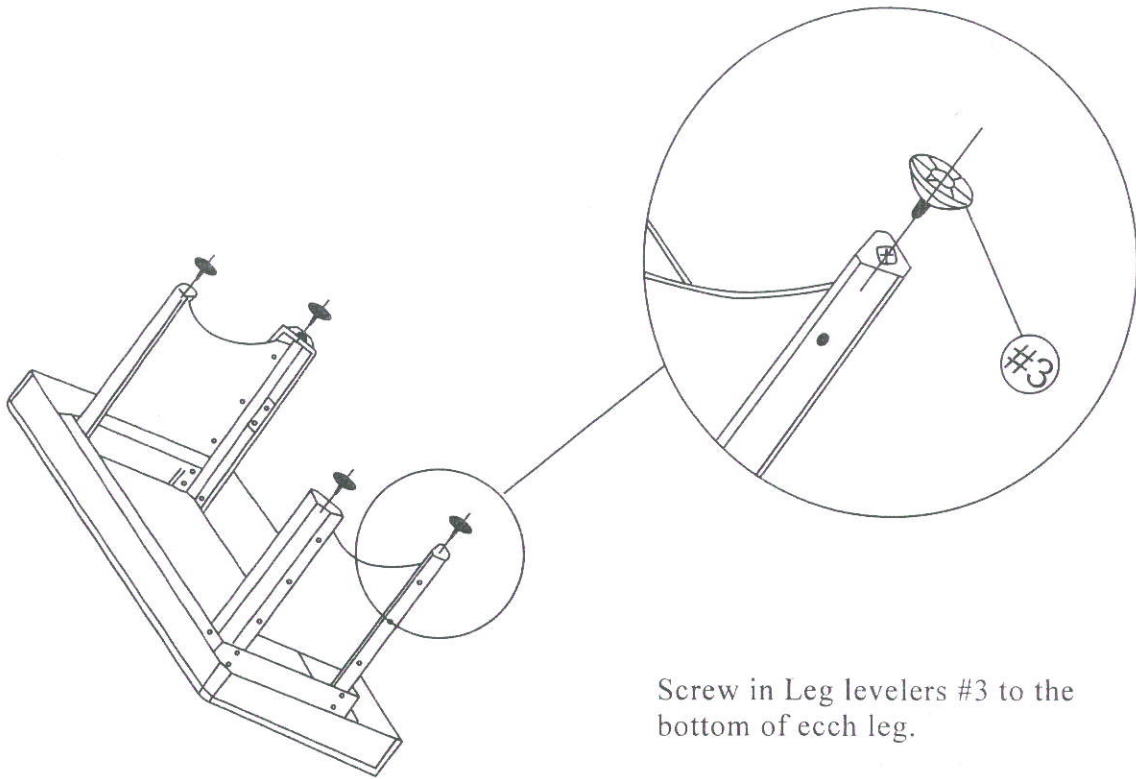
*To line leg holes up to be properly assembled.

STEP2.ASSEMBLE LEG END PANELS



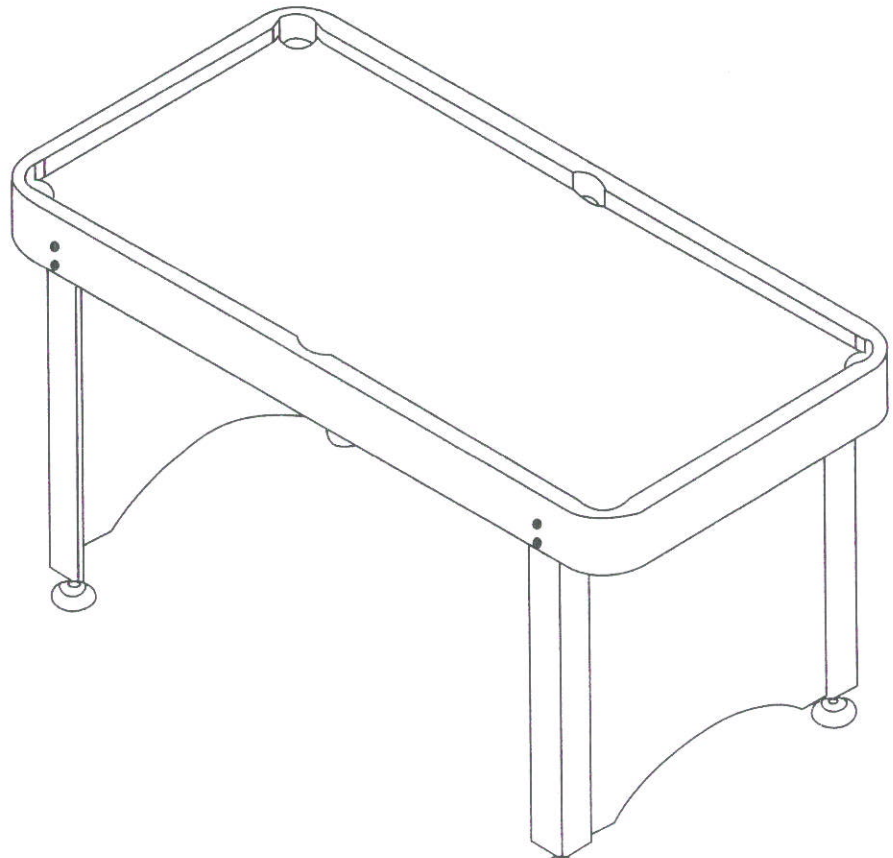
Attach leg end panels #4 to Legs #2. Line up Pre-drilled holes and attach with Bolts #7 and Washers #8

STEP3. ASSEMBLE LEG LEVELERS



Screw in Leg levelers #3 to the bottom of ecch leg.

Filp table over to its normal position.



PARTS ORDER FORM

If for some reason you are missing any assembly parts for your Halex game table, please call the Regent Sports Customer Service line at (1877) 516-9707 (toll free) between the **hours** of 10:00am and 5:00 p EST or go online at www.regent-halex.com for parts ordering. Please refer to the REGENT SPORTS LIMITED WARRANTY concerning missing and defective parts.

Parts also may be ordered by filling out the form below. Please fill in all the information and return to

REGENTSPORTS CORP.

45 RANICK ROAD

HAUPPAUGE, NEW YORK, 11788

ATTN: CUSTOMER SERVICE

REGENT SPORTS CORP. requires that all orders for replacement parts must be paid by check, money order, VISA, or MC. Cash is not accepted. Please make all checks or money orders payable to REGENT SPORTS CORP. *Please note all prices include shipping and handling.*

PARTS ORDER FORM

Name of Purchaser: _____

Address: _____

City: _____

State: _____ Zip Code: _____

Phone: _____

Part #	Description	Quantity	Price	Total Cost
196-50804-02	Leg	4	\$10.00	
196-50804-03	Leg Leveler	4	\$7.50	
196-50804-04	Leg End Panel	2	\$10.00	
196-50804-05	Leg Bolt	16	\$1.00	
196-50804-06	Leg Washer	16	\$1.00	
196-50804-07	Leg Panel Bolt	20	\$1.00	
196-50804-08	Leg Washer	20	\$1.00	
196-50804-09	Allen Key	1	\$1.00	
196-50804-10	Cue Stick	2	\$1.00	
196-50804-11	Chalk	2	\$2.00	
196-50804-12	Billiard ball	1 set	\$15.00	
196-50804-13	Triangle Rack	1	\$5.00	
196-50804-14	Table Brush	1	\$3.00	