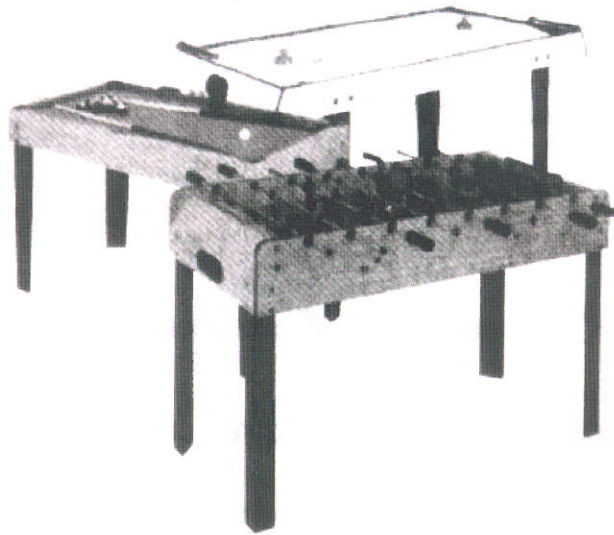


TABLE
Games

Assembly instructions



Halex
TM

60640

LIMITED 90 DAY WARRANTY

This Halex product is warranted to be free from defects in workmanship or materials at the time of purchase for a period of 90 (ninety) days. Certain restrictions apply (see below).

Should any evidence of defects appear within the limited warranty period after the date of purchase, Regent Sports will either send replacement parts or advise of another course of action. A list of replaceable parts can be found on the parts order form page of this manual. Parts not listed on this order form are not replaceable. **Table tops, playing surfaces, and main frames are not replaceable.** This warranty covers normal consumer use and does not cover failures, which result from alterations, accidents, misuse, abuse, or neglect.

For prompt warranty service and special offers, please register your Halex product at our customer service center by visiting our website at www.regent-halex.com. Enter the following unique registration number followed by the item number of your table found on the cover of this manual: 1ZAK7 _____. You can also register your product on our automated voice recognition system at the toll free number below. You must register your product within 30 days of purchase to be eligible for warranty service. Please make sure to visit our website to order additional parts not covered under the warranty, as well as on-line instruction manuals and new product information. You may also order parts by calling our automated voice recognition system.

A purchase receipt or other proof of date of purchase will be required before warranty service is performed. Requests for warranty service can be provided by e-mailing the customer service department at cstables@regent-halex.com or by calling customer service at:

877-516-9707 (Toll Free)

10:00 AM to 6:00 PM, EST. (Dec. through Jan.)

10:00 AM to 5:00 PM, EST. (Feb. through Nov.)

Or send request in writing to:

Regent Sports Corporation
45 Ranick Road
Hauppauge, NY 11788
Attn: Halex Customer Service

This warranty gives you specific legal rights and you may have other rights that vary from state to state.

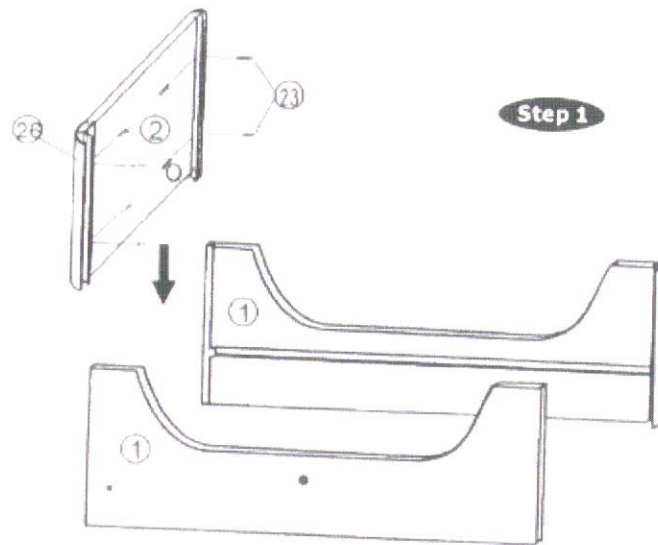
Parts List Boccerball Pro

<p>#1 (193-60640-1)</p>  <p>Side panel 2 pieces</p>	<p>#2 (193-60640-2)</p>  <p>End panel 2 pieces</p>	<p>#3 (193-60640-3)</p>  <p>Playing surface 1 piece</p>	<p>#4 (193-60640-4)</p>  <p>End support board 2 pieces</p>
<p>#5 (193-60640-5)</p>  <p>Support rod 1 piece</p>	<p>#6 (193-60640-6)</p>  <p>Support rod nut 2 pieces</p>	<p>#7 (193-60640-7)</p>  <p>L-shape foam insert 4 pieces</p>	<p>#8 (193-60640-8)</p>  <p>Ball entry rail 2 pieces</p>
<p>#9 (193-60640-9)</p>  <p>33mm Flat head screw 10 pieces</p>	<p>#10 (193-60640-10)</p>  <p>Ramp 2 pieces</p>	<p>#11 (193-60640-11)</p>  <p>Plastic screw 4 pieces</p>	<p>#12 (193-60640-12)</p>  <p>Ball collector 2 pieces</p>
<p>#13 (193-60640-13)</p>  <p>Washer head screw 14 pieces</p>	<p>#14 (193-60640-14)</p>  <p>Tube 2 pieces</p>	<p>#15 (193-60640-15)</p>  <p>Soccer ball 2 pieces</p>	<p>#16 (193-60640-16)</p>  <p>Steel marble 24 pieces</p>
<p>#17 (193-60640-17)</p>  <p>Slide scorer 2 pieces</p>	<p>#18 (193-60640-18)</p>  <p>Goalpost 2 pieces</p>	<p>#19 (193-60640-19)</p>  <p>Tube cover 2 pieces</p>	<p>#20 (193-60640-20)</p>  <p>50mm screw 4 pieces</p>
<p>#21 (193-60640-21)</p>  <p>Goalpost nut 4 pieces</p>	<p>#22 (193-60640-22)</p>  <p>Ball return tray 2 pieces</p>	<p>#23 (193-60640-23)</p>  <p>12mm screw 20 pieces</p>	<p>#24 (193-60640-24)</p>  <p>Foam insert 4 pieces</p>
<p>#25 (193-60640-25)</p>  <p>Goal rail 4 pieces</p>	<p>#26 (193-60640-26)</p>  <p>Round corner 4 pieces</p>	<p>#27 (193-60640-27)</p>  <p>Marble storage 1 pieces</p>	

Assembly Instructions for Tabletop Boccerball

Step 1

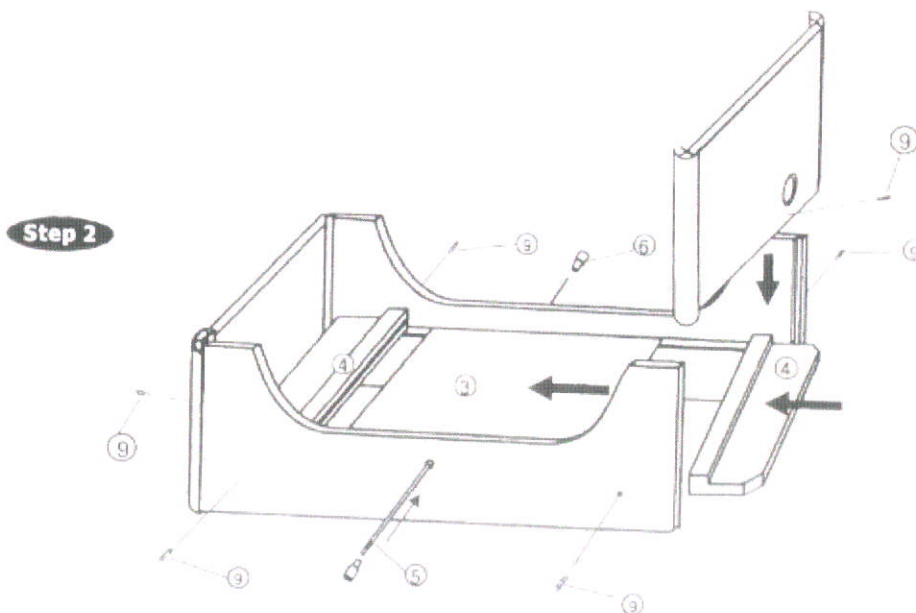
Assemble both side panels #1 to one end panel #2 using the round corner pieces #26. Affix the corner pieces using the #23 screws as shown. **Be sure the tops of the corner pieces are flush with the top rails of the end and side panels.**



Step 2

Slide the end support board #4 into the side panel grooves as shown. Be sure the larger edge is away from the end panel with the lip facing up (as shown). Secure using the 33mm screws #9. Slide the playing surface #3 into the grooves in the side panels until it is centered. Insert the support rod #5 through the holes in the side panels and through the groove in the underside of the playing surface. Tighten on both sides of the side panels using the support rod nuts #6.

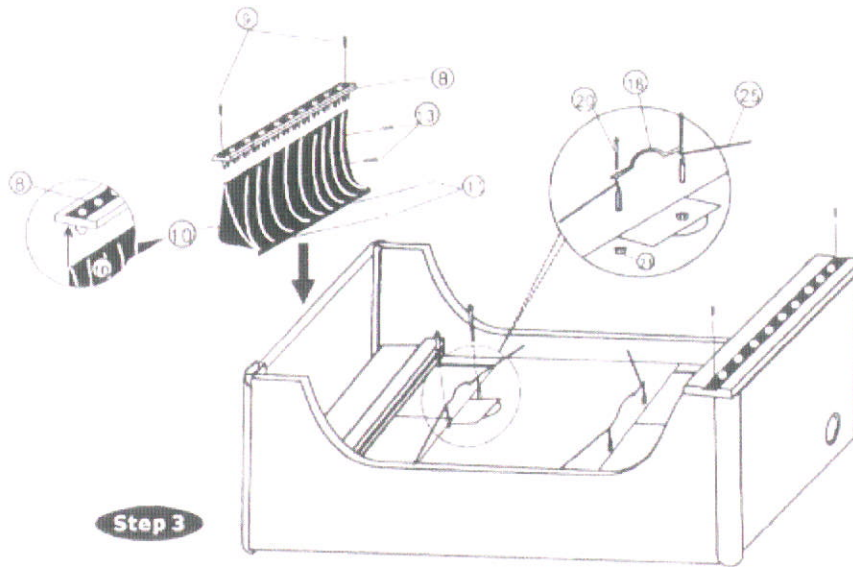
Attach the remaining end support board and end panel as previously described.



Step 3

Slide the ramps # 10 into place and attach using the plastic screws # 11 and washer head screws # 13. To fully insert the plastic screws it may be necessary to tap with a small hammer. Affix the ball entry rail # 8 to the top of each ramp using the flat head screws # 9.

Place the goalposts # 18 in the holes on the playing surface. Attach the goal rails # 25 to the goalpost using the 50mm screws # 20 and goalpost nuts # 21. The goalpost nuts should be tightened under the table as shown.

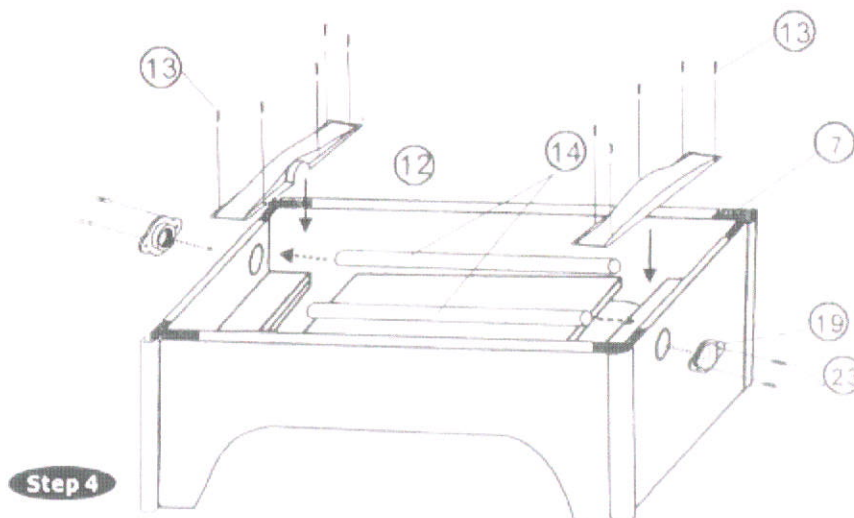


Step 4

Flip the table over. Center the ball collector # 12 over the empty space and tighten using the 10.5mm screws # 13. Slide the tube # 14 into the hole in the end panel, then through the opening in the ball collector as shown. Affix the tube cover # 19 to the hole in the end panel using the 12mm screws # 23.

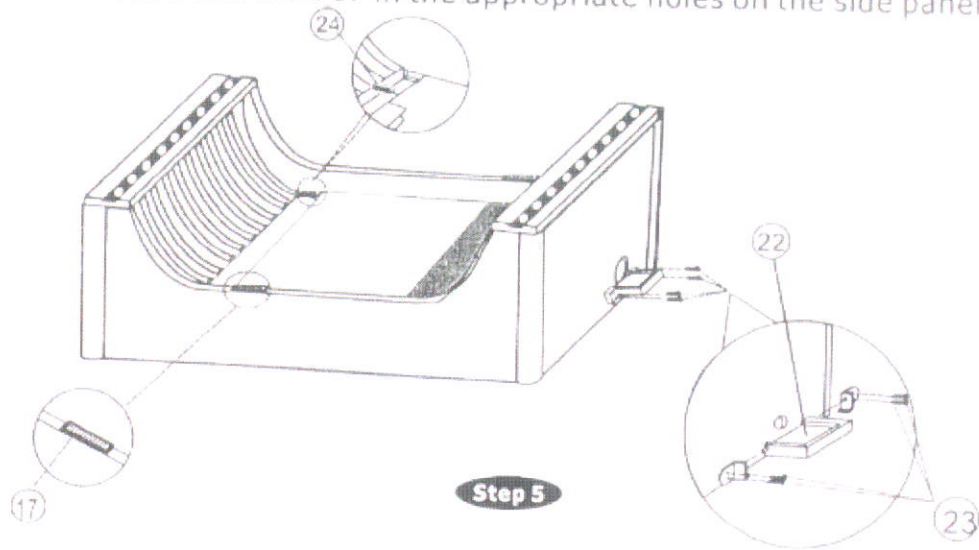
Repeat this procedure for the other ball collector and tube.

Stick the L-shaped foam inserts #7 on all four corners of the table as shown.



Step 5

Flip the table back over. Attach the ball return trays #22 to the end panels using 12mm screws #23. Stick the foam inserts #24 inside the space in the side panel groove as shown. Stick the slide scorers #17 in the appropriate holes on the side panel rails.



To Play:

1. Players sit at opposite ends. Make sure the marbles are evenly divided. The marbles usually stay evenly divided, however, it is BOCCERBALL courtesy to even up the marbles between points if one side has noticeably more marbles than the other.
2. Place soccer ball in center circle.
3. One player shouts "GO" and you both begin dropping marbles down the chutes. Continue dropping marbles until a goal is scored. The soccer ball returns to the ball tray of the scoring player. Place soccer ball in the center circle to begin play for the next point.
4. Players use the scorekeepers to tally goals. First player to score 5 goals wins.

Boccerball Rules:

1. On the start of each point, (face-off) a player is allowed to drop up to 6 marbles.
2. After the face-off, a player is allowed to drop up to 2 marbles at a time (one from each hand). Players may hold as many as marbles as they want in each hand.
3. Marble dumping or the rapid fire (dropping more than one marble from each hand at one time) is not allowed. If a player marble dumps, the opponent automatically gets a point. Clear the field of marbles and have a face-off to begin play for the next point.
4. A score made on a face-off is called an "Ace." A player cannot win the final point with an ace. If on the final point a player scores an ace, the point must be replayed.
5. If the soccer ball is hit off of the playing field, the ball should be placed in the center of the circle, and play resumes with a face-off. DO NOT clear the field of marbles for this face-off. The field should remain untouched until a goal is scored.

PARTS ORDER FORM

If for some reason you are missing any assembly parts for your Halex game table, please call the Regent Sports Customer Service line at (877) 516-9707 (toll free) between the hours of 10:00am and 5:00pm EST or go online at www.regent-halex.com for parts ordering. Please refer to the REGENT SPORTS LIMITED WARRANTY concerning missing and defective parts.

Parts also may be ordered by filling out the form below. Please fill in all the information and return to:

REGENT SPORTS CORP.
45 RANICK ROAD
HAUPPAUGE, NEW YORK, 11788
ATTN: CUSTOMER SERVICE

REGENT SPORTS CORP. requires that all orders for replacement parts must be paid by check, money order, VISA, or MC. Cash is not accepted. Please make all checks or money orders payable to REGENT SPORTS CORP. *Please note all prices include shipping and handling.*

Name of Purchaser: _____
Address: _____
City: _____
State: _____ **Zip Code:** _____
Phone: _____

PART #	DESCRIPTION	QUANTITY	PRICE	TOTAL COST
193-60640-1	Side panel		\$15.00	
193-60640-2	End panel		\$12.50	
193-60640-3	Playing surface		\$10.00	
193-60640-4	End support board		\$7.50	
193-60640-5	Support rod		\$7.50	
193-60640-6	Support rod nut		\$1.00	
193-60640-7	L-shape foam insert		\$2.00	
193-60640-8	Ball entry rail		\$7.50	
193-60640-9	33mm flat head screw		\$1.00	
193-60640-10	Ramp		\$10.00	
193-60640-11	Plastic screw		\$1.00	
193-60640-12	Ball collector		\$7.50	
193-60640-13	Washer head screw		\$1.00	
193-60640-14	Tube		\$7.50	
193-60640-15	Soccer ball		\$2.50 ea	
193-60640-16	Steel marble		\$2.00 ea	
193-60640-17	Slide scorer		\$2.00	
193-60640-18	Goalpost		\$5.00	
193-60640-19	Tube cover		\$3.00	
193-60640-20	50mm screw		\$1.00	
193-60640-21	Goalpost nut		\$1.00	
193-60640-22	Ball return tray		\$7.50	
193-60640-23	12mm screw		\$1.00	
193-60640-24	Foam insert		\$2.00	
193-60640-25	Goal rail		\$2.00	
193-60640-26	Round corner		\$7.50	
193-60640-27	Marble storage		\$2.50	