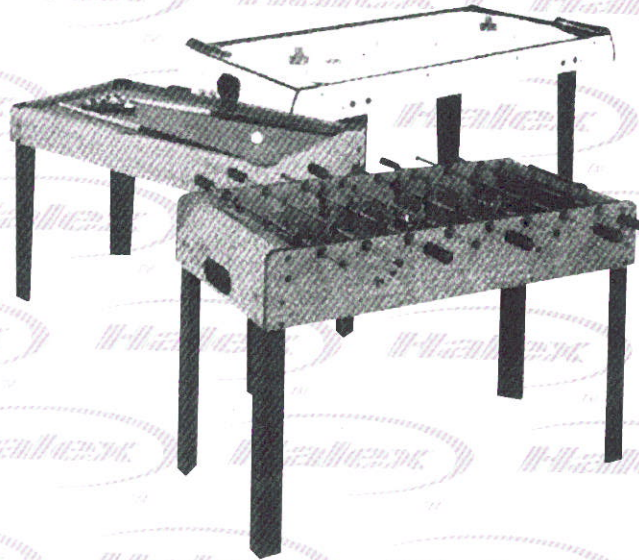


TABLE
Games

Assembly instructions



Halex
TM

60657

PLEASE DO NOT RETURN THIS ITEM TO THE STORE!

Should you have a defect or parts issue, please refer to the warranty instructions listed below and contact Regent Sports at our toll free number!!

LIMITED 90 DAY WARRANTY

This Halex product is warranted to be free from defects in workmanship or materials at the time of purchase for a period of 90 (ninety) days. Certain restrictions apply (see below).

Should any evidence of defects appear within the limited warranty period after the date of purchase, Regent Sports will either send replacement parts or advise of another course of action. A list of replaceable parts can be found on the parts order form page of this manual. Parts not listed on this order form are not replaceable. **Table tops, playing surfaces, and main frames are not replaceable.** This warranty covers normal consumer use and does not cover failures, which result from alterations, accidents, misuse, abuse, or neglect.

For prompt warranty service and special offers, please register your Halex product at our customer service center by visiting our website at: www.regent-halex.com. Enter the following unique registration number followed by the item number of your table found on the cover of this manual: 1ZAK7 _____. You must register your product within 30 days of purchase to be eligible for warranty service. Please make sure to visit our website to order additional parts not covered under the warranty, as well as on-line instruction manuals and new product information. You may also order parts by calling our automated voice recognition system (877) 516-8707.

A purchase receipt or other proof of date of purchase will be required before warranty service is performed. Requests for warranty service can be provided by e-mailing the customer service department at cstables@regent-halex.com or by calling customer service at:

877-516-9707 (Toll Free)

10:00 AM to 6:00 PM, EST. (Dec. through Jan.)

10:00 AM to 5:00 PM, EST. (Feb. through Nov.)


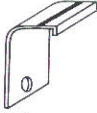













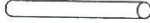












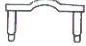

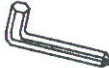

Or send request in writing to:

Regent Sports Corporation
45 Ranick Road
Hauppauge, NY 11788
Attn: Halex Customer Service

This warranty gives you specific legal rights and you may have other rights that vary from state to state.

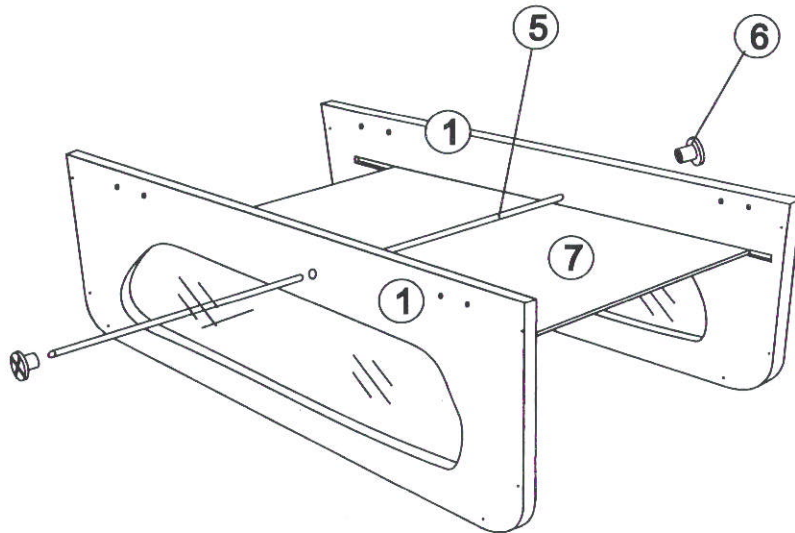
60657

PARTS LIST

<p>#1 (196-50657-01)</p>  <p>Side panel 2 pieces</p>	<p>#2 (196-50657-02)</p>  <p>End panel 2 pieces</p>	<p>#3 (196-50657-03)</p>  <p>Tube 2 pieces</p>	<p>#4 (196-50657-03)</p>  <p>End support board 2 pieces</p>
<p>#5 (196-50657-05)</p>  <p>Support rod 1 pieces</p>	<p>#6 (196-50657-06)</p>  <p>Support rod nut 2 pieces</p>	<p>#7 (196-50657-07)</p>  <p>Playing field 1 pieces</p>	<p>#8 (196-50657-08) (Pre-installed)</p>  <p>Ball entry rail 2 pieces</p>
<p>#9 (196-50657-09)</p>  <p>3.5x33mm screw 14 pieces</p>	<p>#10 (196-50657-10)</p>  <p>Ramp 2 pieces</p>	<p>#11 (196-50657-11)</p>  <p>Plastic screw 8 pieces</p>	<p>#12 (196-50657-12)</p>  <p>Ball collector 2 pieces</p>
<p>#13 (196-50657-13)</p>  <p>3.5x10.5mm screw 14 pieces</p>	<p>#14 (196-50657-14)</p>  <p>Leg bolt 4 pieces</p>	<p>#15 (196-50657-15)</p>  <p>Leg 4 pieces</p>	<p>#16 (196-50657-16)</p>  <p>Leg support bar 2 pieces</p>
<p>#17 (196-50657-17)</p>  <p>Steel marble box 1 pieces</p>	<p>#18 (196-50657-18)</p>  <p>8x45mm Bolt 4 pieces</p>	<p>#19 (196-50657-19)</p>  <p>Flat washer 4 pieces</p>	<p>#20 (196-50657-20)</p>  <p>4x50mm screw 4 pieces</p>
<p>#21 (196-50657-21)</p>  <p>Goalpost nut 4 pieces</p>	<p>#22 (196-50657-22)</p>  <p>Ball return tray 2 pieces</p>	<p>#23 (196-50657-23)</p>  <p>3.5x14mm screw 12 pieces</p>	<p>#24 (196-50657-24)</p>  <p>Foam insert 4 pieces</p>
<p>#25 (196-50657-25)</p>  <p>Goal rail 4 pieces</p>	<p>#26 (196-50657-26)</p>  <p>Soccer ball 2 pieces</p>	<p>#27 (196-50657-27)</p>  <p>Steel marble 36 pieces</p>	<p>#28 (196-50657-28)</p>  <p>Slide scorer 2 pieces</p>
<p>#29 (196-50657-29)</p>  <p>Goalpost 2 pieces</p>	<p>#30 (196-50657-30)</p>  <p>Tube connect 2 pieces</p>	<p>#31 (196-50657-31)</p>  <p>Allen key 1 pieces</p>	<p>#32 (196-50657-32)</p>  <p>Name plate 2 pieces</p>

Step 1 – Assemble side panels #1 and play surface #7. Slide play surface #7 into the grooves. Use support rod #5 and rod nut #6 to secure the two sides.

FIG:1



Step 2 – Slide in end support board #4 into each end.

FIG:2

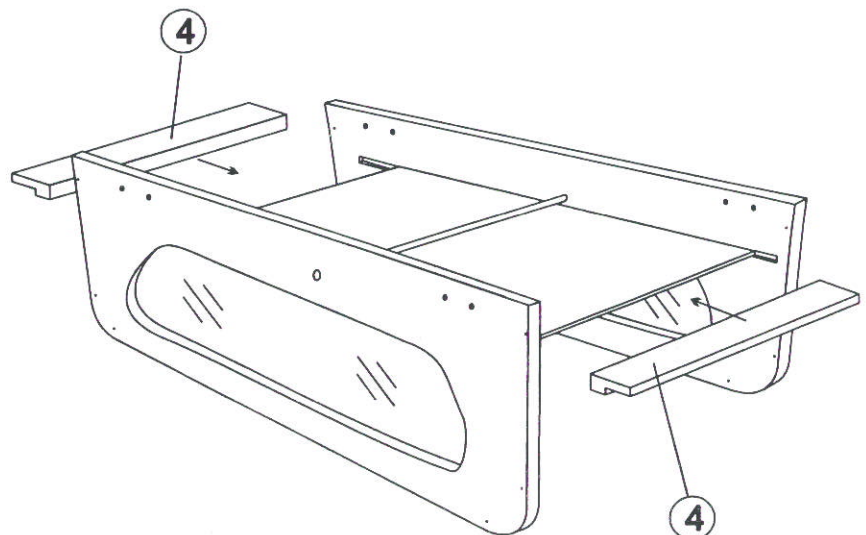
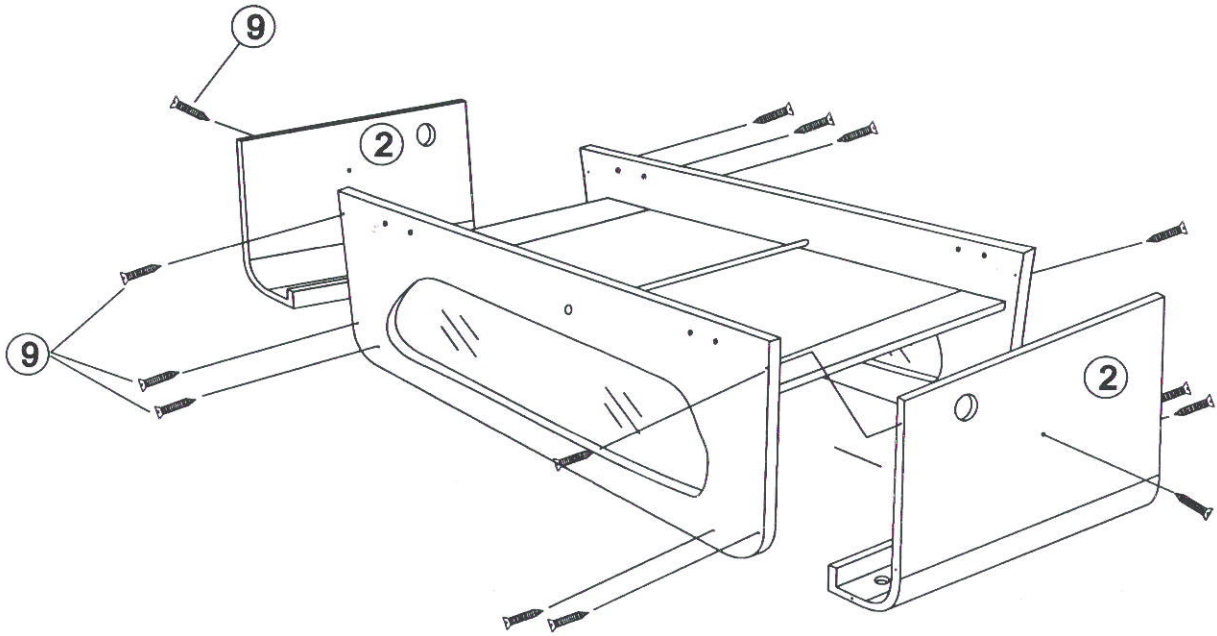


FIG:3

Step 3 – Attach end panels # 2 using screws #9.
Be sure to use all pre-drilled holes.



Step 4 – Attach ball collector #12 using screws # 13 to the bottom of the play surface covering the open space. Next slide ball return tubes #3 to the ball collectors. Attach tube connector #30 to the end panels using screws #23.

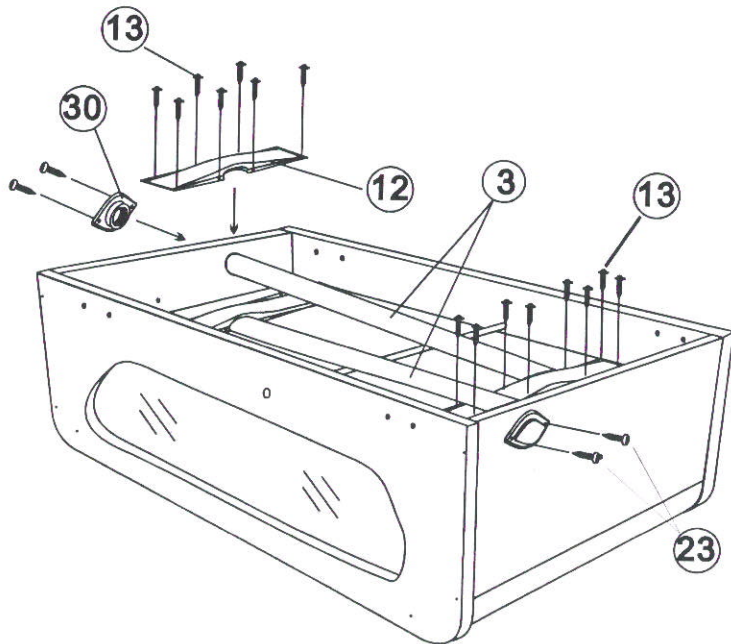
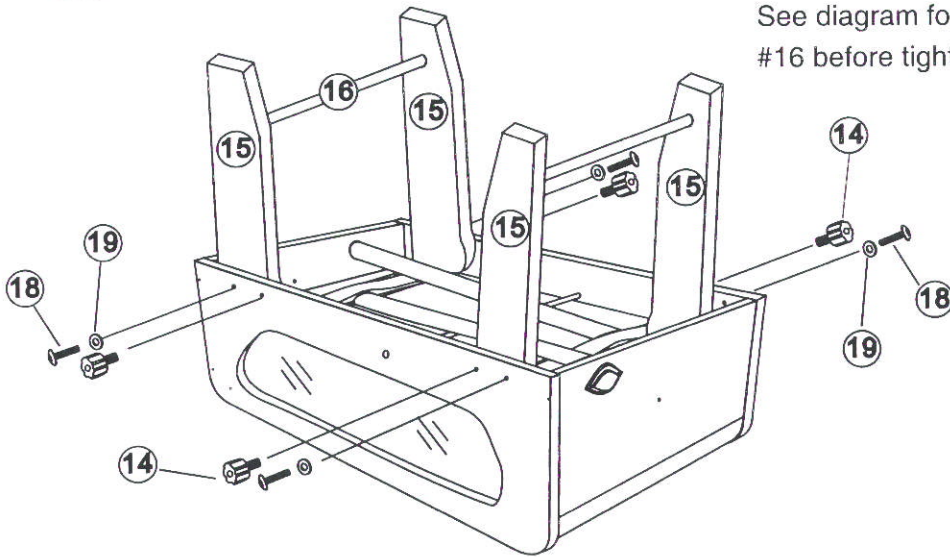


FIG:4

FIG:5



Step 5 - Attach legs #15 to the cabinet assembly using bolt #18, washer #19 and leg bolts #14. See diagram for proper placement. Insert leg bar #16 before tightening legs.

Step 6 - Attach ball ramp #10 to each end panel using plastic screw #11. Next attach plastic goal #29. Place goal in pre drilled holes. Attach goal rails #25 by placing them on top of the goal ends and sliding in screws #20. Secure from the bottom of the table with nuts #21.

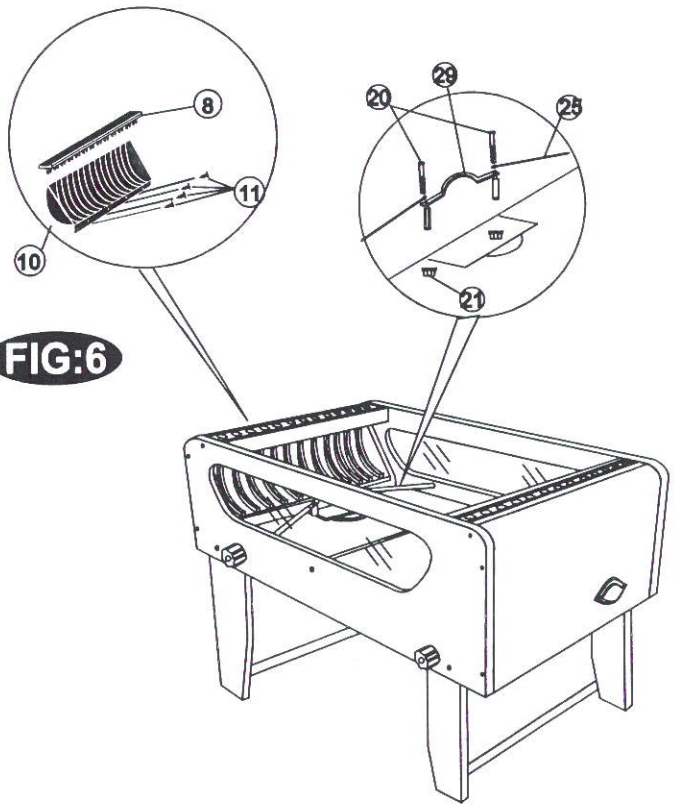
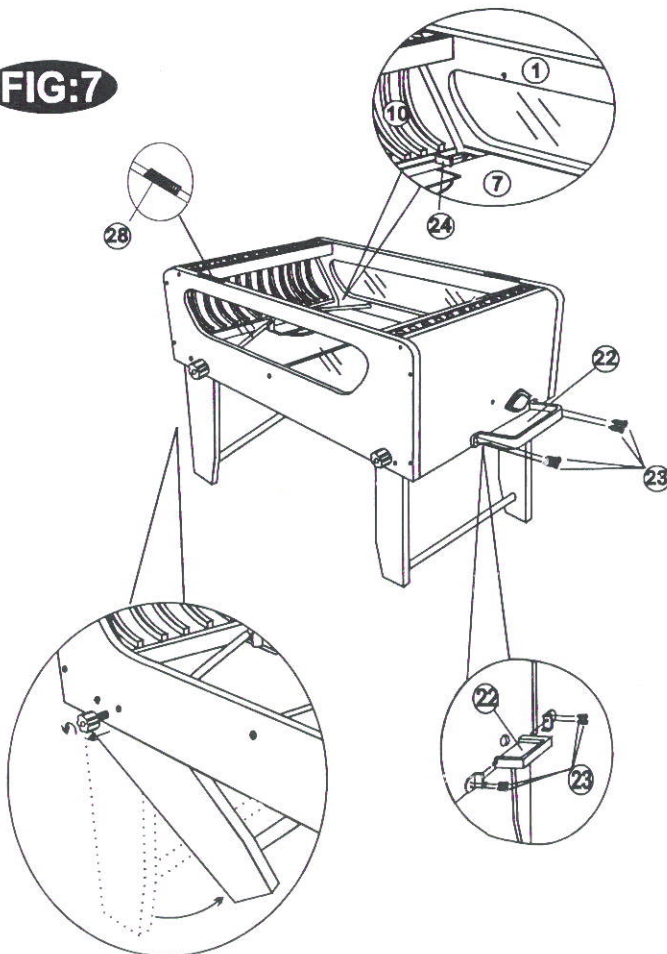


FIG:6

FIG:7



Step 7 - Attach manual scoring units by simply placing them on the goal rails using the predrilled holes. Next attach ball return tray to each end using screws #23.

Step 8 - Attach foam insert #24 to the groove of the side panels. See diagram for proper placement.

Step 9 - Loosen Leg Bolts #14 and fold up the legs for table top play.